

# Linear Actuators

# Linear Actuators

**Options:**

- Adjustable Cam
- Feedback
- Cord set output
- Dust Cover
- Brake

**Applications:**

- Treadmills
- Adjustable Work Stations
- Adjustable TV Stands
- Adjustable beds

Model: JS25	
Input Voltage	110 or 220 VAC 50/60 Hertz
Load Capacity Thrust	1050
Travel Speed Inch per second/mm per sec.	0.11 to 0.37 Inch per sec.(2.8 to 9.5mm)
Operating Temperature	40 to 60 °C
Duty Cycle	1 Minute on 6 Minutes Off
Thermal Protector Rating	105°C +/- 5°
Stroke	Customer Defines
Capacitor	Electrolytic, Internal Mounting
Feedback, Potentiometer, Optical	Optional, Internal Mounting



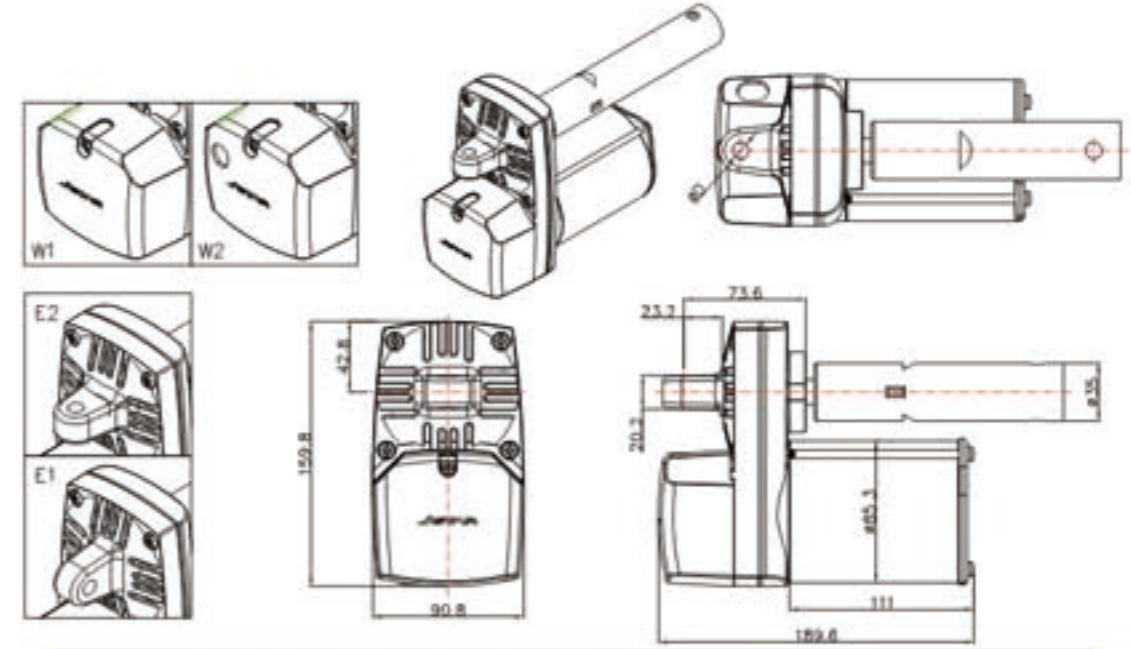
JS25



**Features:**

- Permanent Split Capacitor Quiet Drive Motor
- Needle Thrust Bearings
- Precision Ball Bearings
- Class 2C Acme Shaft
- Internal Limit Switches
- Adjustable Cam
- Rugged Aluminum Castings
- Delrin Gears for Added Quietness & Strength

This medium size linear actuator can handle thrust loads up to 1100 pounds. It is perfect for an application that requires large thrust loads with decent travel speeds. It is currently used on home & club treadmills & fitness equipment, office equipment, adjustable work stations, electric beds, Dental X-ray machines. It is perfect for applications that doesn't require a fast travel speed and are price sensitive. It is currently used on light duty home treadmills & fitness equipment, office equipment and adjustable work stations.



Model Js25 Total Ratio(Gear Ratio/Screw Leads) Reference

Input Motor	Gear Ratio	Thread Type(threads per inch)	13:1						20:1						25:1											
			6		8		50		6		8		50		6		8		50							
			60	50	60	50	60	50	60	50	60	50	60	50	60	50	60	50	60	50						
2 pole 50mm	Full load Speed in-min(cm-min)		42	107	36	91	32	81	27	68	28	70	23	59	21	52	18	44	22	56	19	47	17	42	14	36
	Full load thrust pounds(Newtons)		230	1023	240	1068	310	1378	330	1468	360	1601	380	1690	480	2135	510	2269	450	2002	480	2135	600	2669	640	2847
	Starting thrust pounds(Newtons)		300	1334	320	1423	410	1824	440	1957	480	2135	510	2269	640	2847	690	3069	800	2669	840	2847	800	3559	860	3825
2 pole 40mm	Full load Speed in-min(cm-min)		42	107	36	91	32	81	27	68	28	70	23	59	21	52	18	44	22	56	19	47	17	42	14	36
	Full load thrust pounds(Newtons)		170	756	180	801	230	1023	240	1068	270	1201	290	1250	360	1601	380	1690	330	1468	350	1557	450	2002	480	2135
	Starting thrust pounds(Newtons)		210	934	220	979	280	1246	300	1334	330	1468	350	1557	440	1957	470	2091	410	1824	440	1957	550	2447	590	2624
2 pole 30mm	Full load Speed in-min(cm-min)		42	107	36	91	32	81	27	68	28	70	23	59	21	52	18	44	22	56	19	47	17	42	14	36
	Full load thrust pounds(Newtons)		130	578	140	623	180	801	190	845	210	934	220	979	280	1246	300	1334	280	1157	280	1246	350	1557	370	1646
	Starting thrust pounds(Newtons)		150	667	160	712	210	934	220	979	240	1068	250	1112	330	1468	350	1557	300	1334	320	1423	420	1868	450	2002

JS25 - XXX - XX - X - XX - XXX - XX - XX - XX - XX	Model	Volts	Ratio	Thread	Stack	Stroke	Sensor	Trunnion	Wire	Hole dia
	110	20	6	30	50 to	LS-Limit	E1	W1	9.6mm	3/8"
	220	25	8	40	300 mm	Switch	E2	W2	8mm	
				50		1K-Pot			10mm	
						10K-Pot				
						LP-Limit &Pot				

LianDa Industrial Zone, Feihu North Rd, LuDu Town, Tai Cang City, JiangSu, P.R.C. Postal Code.:215412  
 Copyrights © 2009 Adacel Technologies, LTD All Rights Reserved.  
 Tel: 86-512-5337-1388 Fax: 86-512-5337-1386 email: info@adaceltech.com